



KW系列包络蜗轮蜗杆减速机
KW worm reducer

GELUFU

格鲁夫机械设备制造有限公司
Gelufu Machinery Equipment Manufacturing Co. Ltd

关于格鲁夫 >> 企业概况

COMPANY PROFILE

GELUFU 的市场定位是业界最佳传动设备供应商，日本产品的低成本，德国产品的稳定性，超的基准。只要我们持续地改进，就会无穷地逼近高质量、低成本和高效率的理想目标。

公司经营R系列斜齿轮减速电机，S系列斜齿轮-蜗轮减速电机，F系列平行轴斜齿轮减速电机，K系列斜齿轮-锥齿轮减速电机，摆线针轮减速机，T系列螺旋锥齿轮转向箱，H、B系列标准工业齿轮箱，蜗轮丝杆升降机，RV系列蜗轮蜗杆减速机等十余个系列，数千种规格的产品，是目前国际上工业动力传输领域最普遍采用的减速驱动装置。

以上产品广泛应用于冶金、矿山、石化、烟草、陶瓷、橡塑、粮油食品、啤酒饮料、交通运输及国内新兴的物流设备、立体车库、环保等行业，为您的驱动应用提供先进并且经济的选择，使您的生产更顺畅，业绩更辉煌。

产品采用了系列化、模块化的设计思想，使产品具有了广泛的适应性，单件产品可以独立成台实现其所具备的功能，又可和本系列或其它机型组合，组成满足不同需要的减变速机组。

公司铭刻、坚持以质量为本，以信誉求发展，以向国内外用户提供可信性的产品为宗旨的方针，不断引进新设备新技术、并且最优秀的人才投入开发与研究，使企业具备了赶超先进水平的技术实力，使产品的技术性能、内部结构和外观造型都具有优良的品质。公司的各类产品销往全国各地，出口日本、美国、德国、东南亚等众多国家和地区，深受用户的好评。

公司宗旨：科技先锋、质量楷模。公司方针“一流企业、一流技术、一流产品、一流服务”，欢迎各方宾客惠顾。



GELUFU Machinery Co., Ltd is a professional company specialized in researching, developing manufacturing and selling gearboxes which was referred by machinery industry Ministry. It is the ISO 9001 certification enterprises.

The products combined more than 10 series gearboxes with thousands of specifications, which include R Rigid tooth flank helical gear units, S Helical-worm gear units, K Helical-bevel gear units, F Parallel shaft helical gear units, T Spiral bevel gear units, SWL, JW Worm screw jack, H, B Rigid tooth flank gear units, P Planetary gear units, RV Worm reducer. These products are slowdown drive device that is commonly adopted in the field of current international industrial transmission.

These products are widely applied to the metallurgy, mine, petroleum chemical, tobacco, ceramics, rubber-plastics, food packaging, beer beverage, transportation and logistics equipment, automatic parking garage, environmental protection equipment, etc., which provided advanced but economic choice for your driving application so as to make your production more smoothly and your achievements more brilliant.

Products of our company adopted serialized and modularized design idea, which make our product have wide adaptability, single piece machine can embody its own function or can from gearbox and variable-gearbox to meet different needs in combination with same series products or other types.

Company engraves and insist on quality-based. We Seek development by reputation and supply the credible products to the customer at home and abroad as purpose. Our company have Introduced new equipment and new technology, thrown the excellent talented person into development and research, made the company possess the technical strength of catching up with and surpass advanced level and made the products possess good quality on technical performance, internal structure and the appearance of design. The products have been exported far to Japan, America, German, east-south Asia etc. and have received a good reputation from its users.

Company purpose: Technology vanguard, quality model. company tenet: First - class enterprises, first-class technology, first-class products, first-class service. welcome to visit our company.

1 概述 >>>>>

KW系列锥面包络圆柱蜗杆减速器 (JB/T5559-1991) 采用ZK1蜗杆, 即锥面包络圆柱蜗杆, 承载能力较大, 传动效率高, 使用寿命长。主要适用于冶金、矿山、起重、运输、化工、建筑、轻工等行业。

工作条件: 蜗杆输入转速不超过1500r/min; 工作环境温度为-40~40℃, 当工作环境温度低于0℃时, 启动前润滑油必须加热到0℃以上, 或采用低凝固点的润滑油; 减速器可正、反双向运转。

2 型号、中心距、传动比、标记 >>>>>

2.1 型号

- (1) **KWU**型—蜗杆在蜗轮之下的锥面包络圆柱蜗杆减速器;
- (2) **KWS**型—蜗杆在蜗轮之侧的锥面包络圆柱蜗杆减速器;
- (3) **KWO**型—蜗杆在蜗轮之上的锥面包络圆柱蜗杆减速器。

其中 **K**—蜗杆为ZK1型, **W**—蜗杆减速器, **U**—蜗杆在蜗轮之下, **S**—蜗杆在蜗轮之侧, **O**—蜗杆在蜗轮之上。

2.2 中心距

KW型蜗杆减速器中心距

| | | | | | | | | | | | | |
|---------|----|----|----|----|----|-----|-----|-----|-----|-----|-----|-----|
| 中心距代号 | 1 | 2 | 3 | 4 | 5 | 6 | 7 | 8 | 9 | 10 | 11 | 12 |
| 中心距a/mm | 32 | 40 | 50 | 63 | 80 | 100 | 125 | 160 | 180 | 200 | 225 | 250 |

2.3 公称传动比

KW型蜗杆减速器传动比

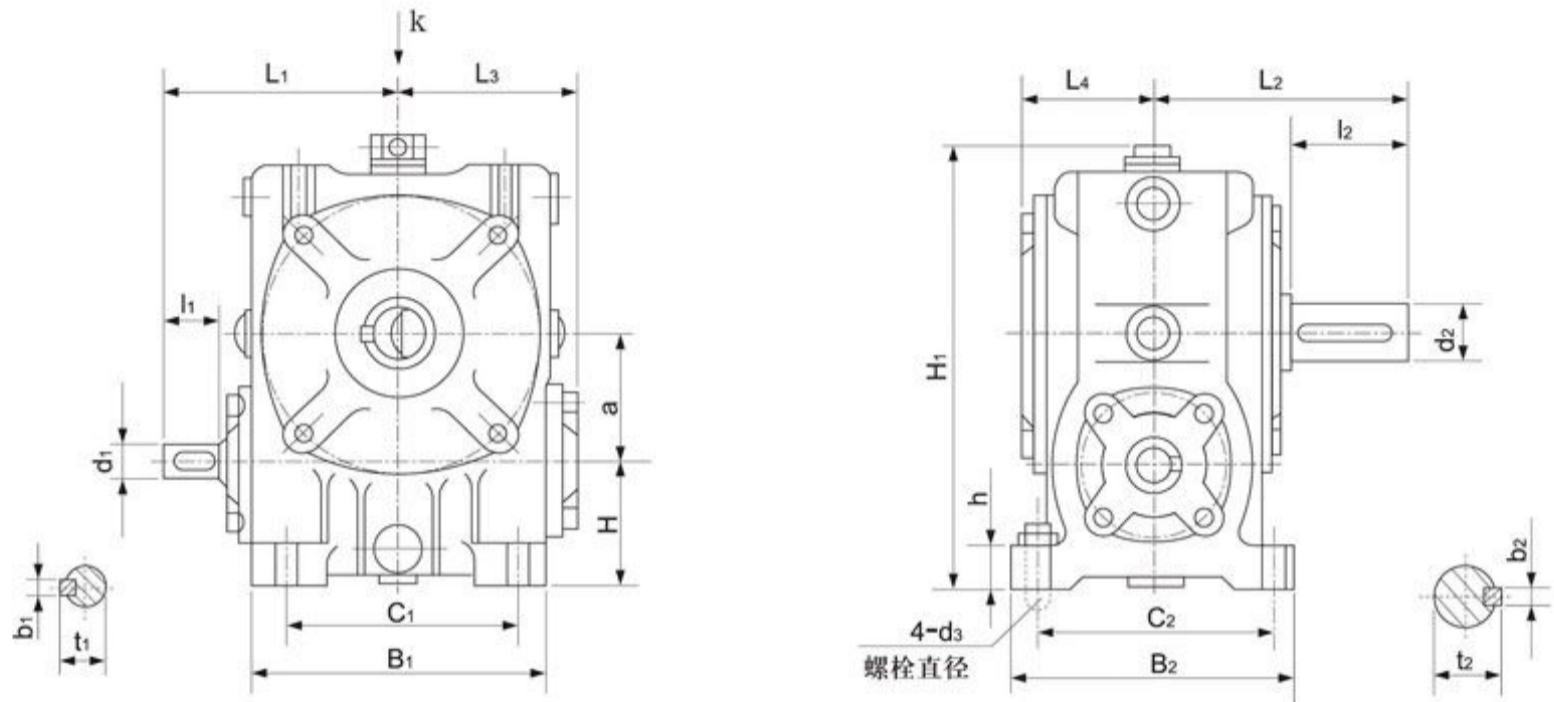
| | | | | | | | | | | |
|-------|-----|----|------|----|----|----|----|----|----|----|
| 传动比代号 | 1 | 2 | 3 | 4 | 5 | 6 | 7 | 8 | 9 | 10 |
| 传动比i | 7.5 | 10 | 12.5 | 15 | 20 | 25 | 30 | 40 | 50 | 60 |

2.4 标记示例



3 外形及安装尺寸 >>>>>

KWU型减速器外形尺寸及装配型式



装配型式 从k向看



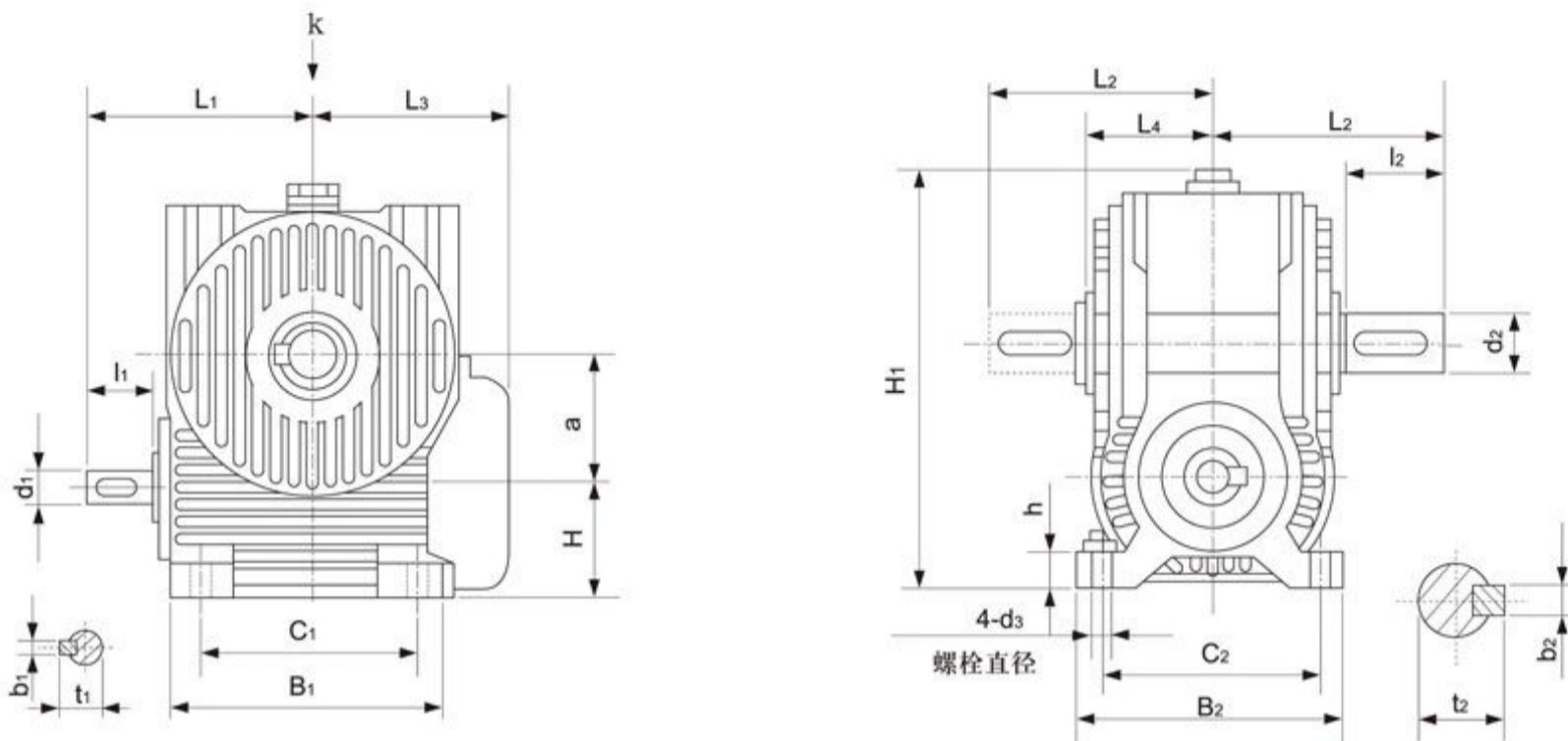
mm

| 型号 \ 尺寸 | a | B ₁ | B ₂ | C ₁ | C ₂ | h | H | H ₁ | d ₃ | d ₁ (j6) | l ₁ | b ₁ |
|---------------|-----|----------------|----------------|----------------|----------------|----|----|----------------|----------------|---------------------|----------------|----------------|
| KWU32 | 32 | 97 | 88 | 75 | 75 | 10 | 36 | 124 | M5 | 12 | 25 | 4 |
| KWU40 | 40 | 110 | 98 | 85 | 82 | 12 | 45 | 156 | M6 | 14 | 25 | 5 |
| KWU50 | 50 | 130 | 120 | 100 | 100 | 15 | 48 | 182 | M8 | 16 | 28 | 5 |
| KWU63 | 63 | 146 | 140 | 115 | 120 | 16 | 60 | 223 | M10 | 18 | 28 | 6 |
| KWU80 | 80 | 175 | 170 | 140 | 145 | 20 | 71 | 270 | M12 | 22 | 36 | 6 |
| KWU100 | 100 | 210 | 200 | 170 | 170 | 24 | 80 | 324 | M12 | 24 | 36 | 8 |

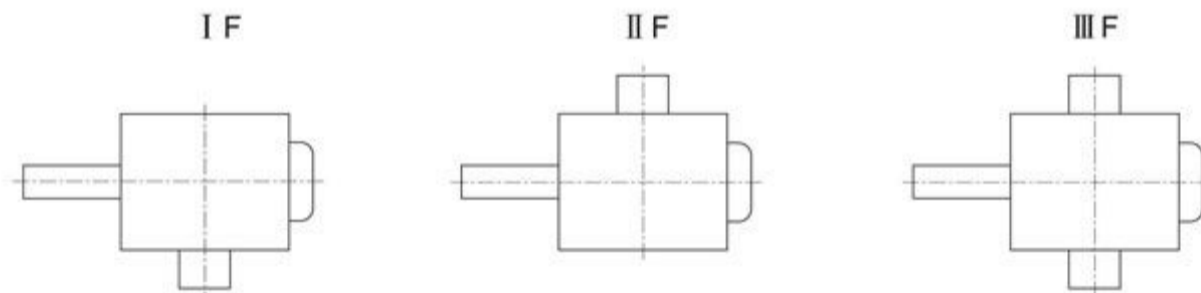
| 型号 \ 尺寸 | t ₁ | L ₁ | d ₂ | l ₂ | b ₂ | t ₂ | L ₂ | L ₃ | L ₄ | 质量kg(不含油量) |
|---------------|----------------|----------------|----------------|----------------|----------------|----------------|----------------|----------------|----------------|------------|
| KWU32 | 135 | 78 | 16j6 | 28 | 5 | 18 | 80 | - | 43 | 3.5 |
| KWU40 | 16 | 84 | 20j6 | 36 | 6 | 22.5 | 95 | - | 49 | 7 |
| KWU50 | 18 | 98 | 22j6 | 36 | 8 | 24.5 | 105 | - | 57 | 9 |
| KWU63 | 20.5 | 118 | 30j6 | 58 | 8 | 33 | 136 | 86 | 65 | 16 |
| KWU80 | 24.5 | 146 | 38k6 | 58 | 10 | 41 | 158 | 105 | 84 | 28 |
| KWU100 | 27 | 165 | 40k6 | 82 | 12 | 43 | 190 | 123 | 95 | 43 |



KWU型减速器外形及装配型式



装配型式(F-带风扇) 从k向看

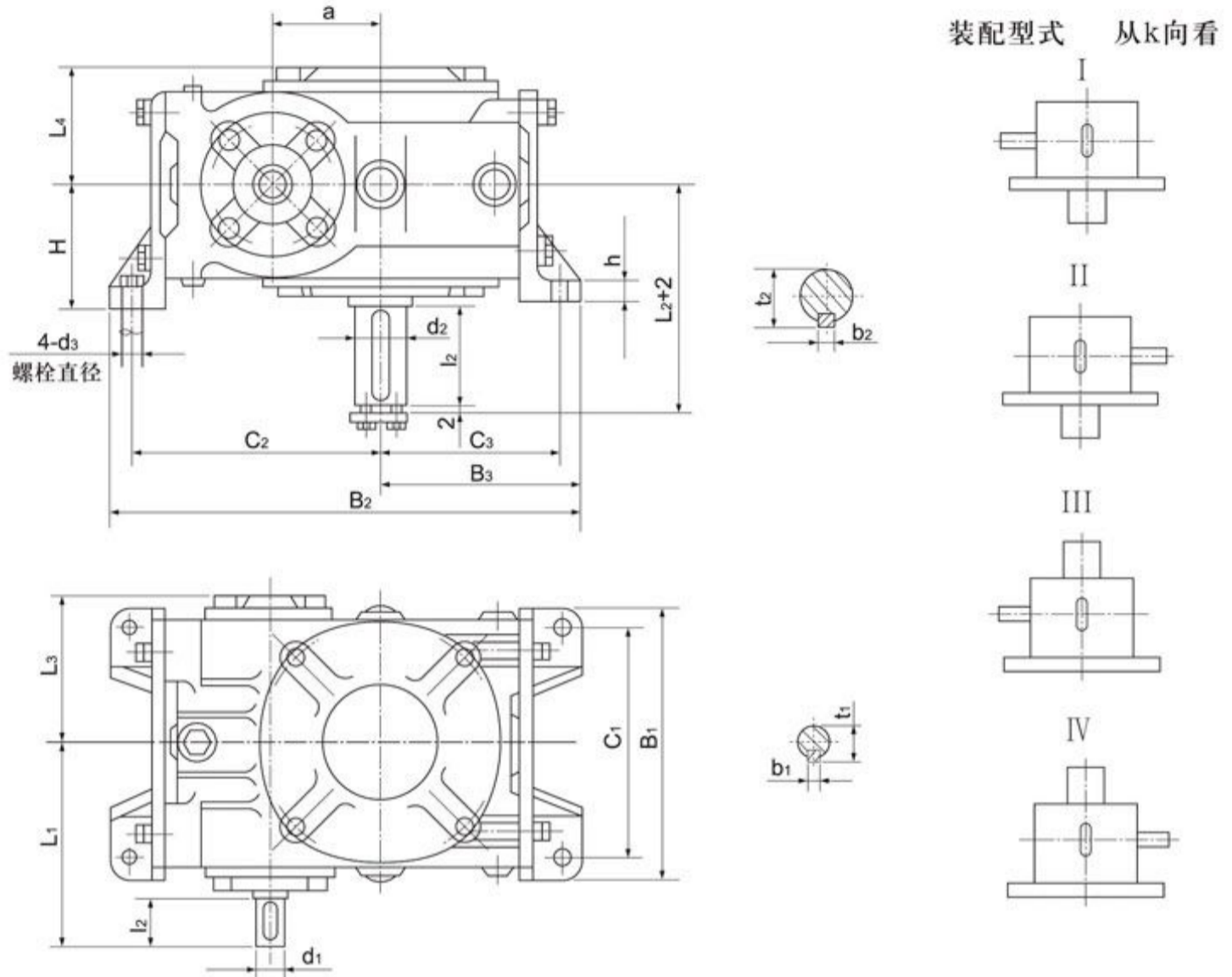


mm

| 型号 | 尺寸 | a | B ₁ | B ₂ | C ₁ | C ₂ | h | H | H ₁ | d ₃ | d ₁ | l ₁ | b ₁ |
|--------|----|-----|----------------|----------------|----------------|----------------|----|-----|----------------|----------------|----------------|----------------|----------------|
| KWU125 | | 125 | 270 | 245 | 220 | 210 | 32 | 112 | 418 | M16 | 32k6 | 58 | 10 |
| KWU160 | | 160 | 325 | 295 | 270 | 255 | 40 | 140 | 524 | M16 | 42k6 | 82 | 12 |
| KWU180 | | 180 | 368 | 325 | 290 | 280 | 45 | 160 | 578 | M20 | 45k6 | 82 | 14 |
| KWU200 | | 200 | 410 | 350 | 315 | 295 | 50 | 170 | 623 | M20 | 48k6 | 82 | 14 |
| KWU225 | | 225 | 450 | 380 | 350 | 325 | 55 | 190 | 690 | M24 | 48k6 | 82 | 14 |
| KWU250 | | 250 | 500 | 415 | 435 | 355 | 65 | 200 | 765 | M24 | 55m6 | 82 | 16 |

| 型号 | 尺寸 | t ₁ | L ₁ | d ₂ (m6) | l ₂ | b ₂ | t ₂ | L ₂ | L ₃ | L ₄ | 质量kg(不含油量) |
|--------|----|----------------|----------------|---------------------|----------------|----------------|----------------|----------------|----------------|----------------|------------|
| KWU125 | | 35 | 218 | 55 | 82 | 16 | 59 | 215 | 202 | 125 | 70 |
| KWU160 | | 45 | 276 | 65 | 105 | 18 | 69 | 266 | 242 | 157 | 130 |
| KWU180 | | 48.5 | 300 | 75 | 105 | 20 | 79.5 | 280 | 267 | 167 | 180 |
| KWU200 | | 51.5 | 324 | 80 | 130 | 22 | 85 | 321 | 299 | 185 | 247 |
| KWU225 | | 51.5 | 342 | 90 | 130 | 25 | 95 | 337 | 320 | 198 | 301 |
| KWU250 | | 59 | 374 | 100 | 165 | 28 | 106 | 390 | 343 | 219 | 406 |

KWS型减速器外形尺寸及装配型式

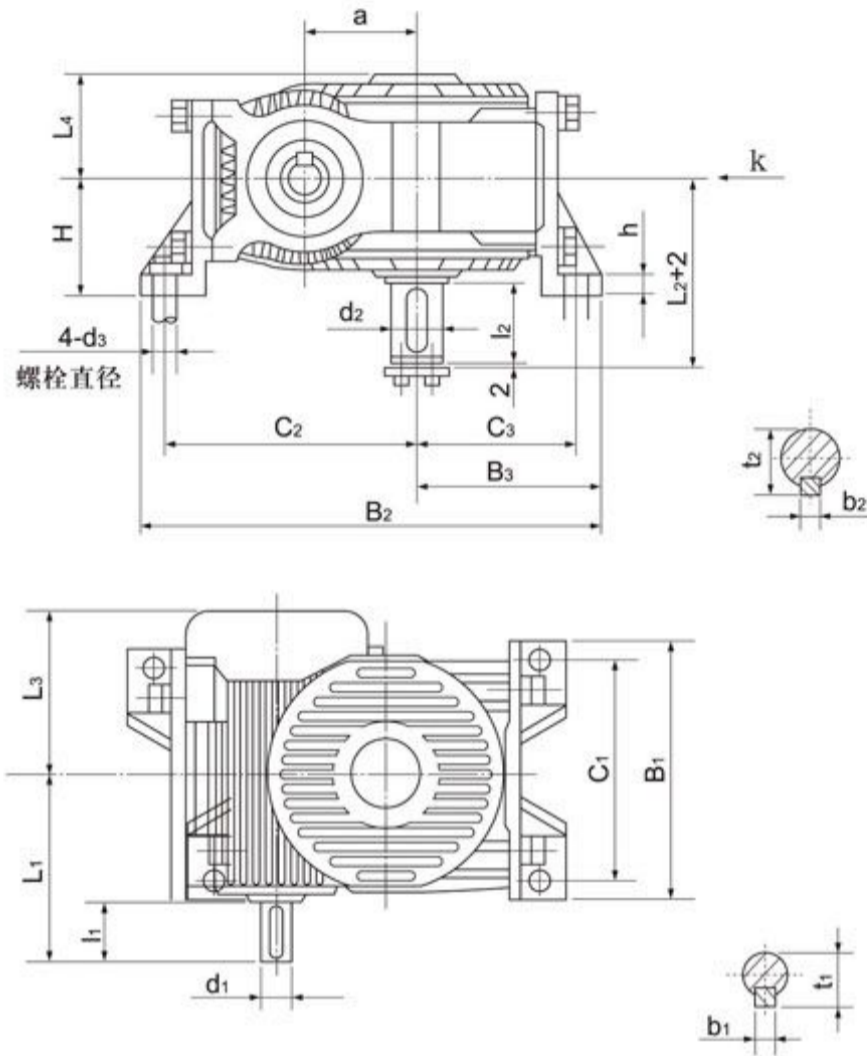


mm

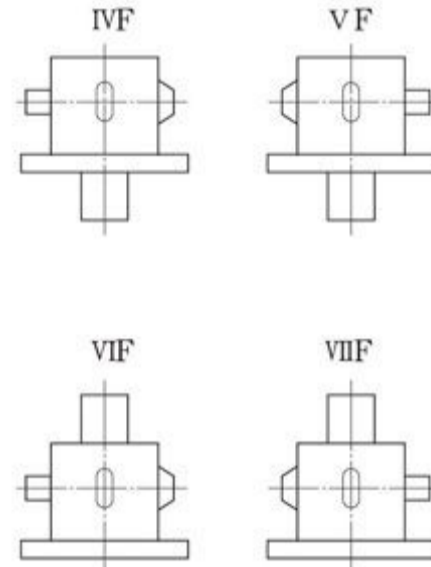
| 型号 | 尺寸 | a | B ₁ | B ₂ | B ₃ | C ₁ | C ₂ | C ₃ | d ₁ (j6) | l ₁ | b ₁ | t ₁ | L ₁ |
|--------|----|-----|----------------|----------------|----------------|----------------|----------------|----------------|---------------------|----------------|----------------|----------------|----------------|
| KWS32 | | 32 | 105 | 157 | 66 | 85 | 81 | 56 | 12 | 25 | 4 | 13.5 | 78 |
| KWS40 | | 40 | 120 | 193 | 84 | 95 | 101 | 76 | 14 | 25 | 5 | 16 | 84 |
| KWS50 | | 50 | 140 | 225 | 87 | 120 | 118 | 87 | 16 | 28 | 5 | 18 | 98 |
| KWS63 | | 63 | 160 | 269 | 111 | 140 | 146 | 99 | 18 | 28 | 6 | 20.5 | 118 |
| KWS80 | | 80 | 195 | 331 | 140 | 160 | 176 | 125 | 22 | 36 | 6 | 24.5 | 146 |
| KWS100 | | 100 | 230 | 384 | 164 | 190 | 205 | 149 | 24 | 36 | 8 | 27 | 165 |

| 型号 | 尺寸 | d ₂ | l ₂ | b ₂ | t ₂ | L ₂ | L ₃ | L ₄ | h | H | d ₃ | 质量kg(不含油量) |
|--------|----|----------------|----------------|----------------|----------------|----------------|----------------|----------------|----|-----|----------------|------------|
| KWS32 | | 16j6 | 28 | 5 | 18 | 80 | - | 44 | 10 | 56 | M5 | 4 |
| KWS40 | | 20j6 | 36 | 6 | 22.5 | 95 | - | 50 | 12 | 63 | M6 | 8 |
| KWS50 | | 22j6 | 36 | 8 | 24.5 | 105 | - | 58 | 15 | 71 | M8 | 11 |
| KWS63 | | 30j6 | 58 | 8 | 33 | 128 | 86 | 65 | 16 | 75 | M10 | 19 |
| KWS80 | | 38k6 | 58 | 10 | 41 | 158 | 105 | 85 | 20 | 100 | M12 | 32 |
| KWS100 | | 40k6 | 82 | 12 | 43 | 190 | 123 | 96 | 24 | 112 | M12 | 54 |

KWS型减速器外形尺寸及装配型式



装配型式(F-带风扇) 从k向看

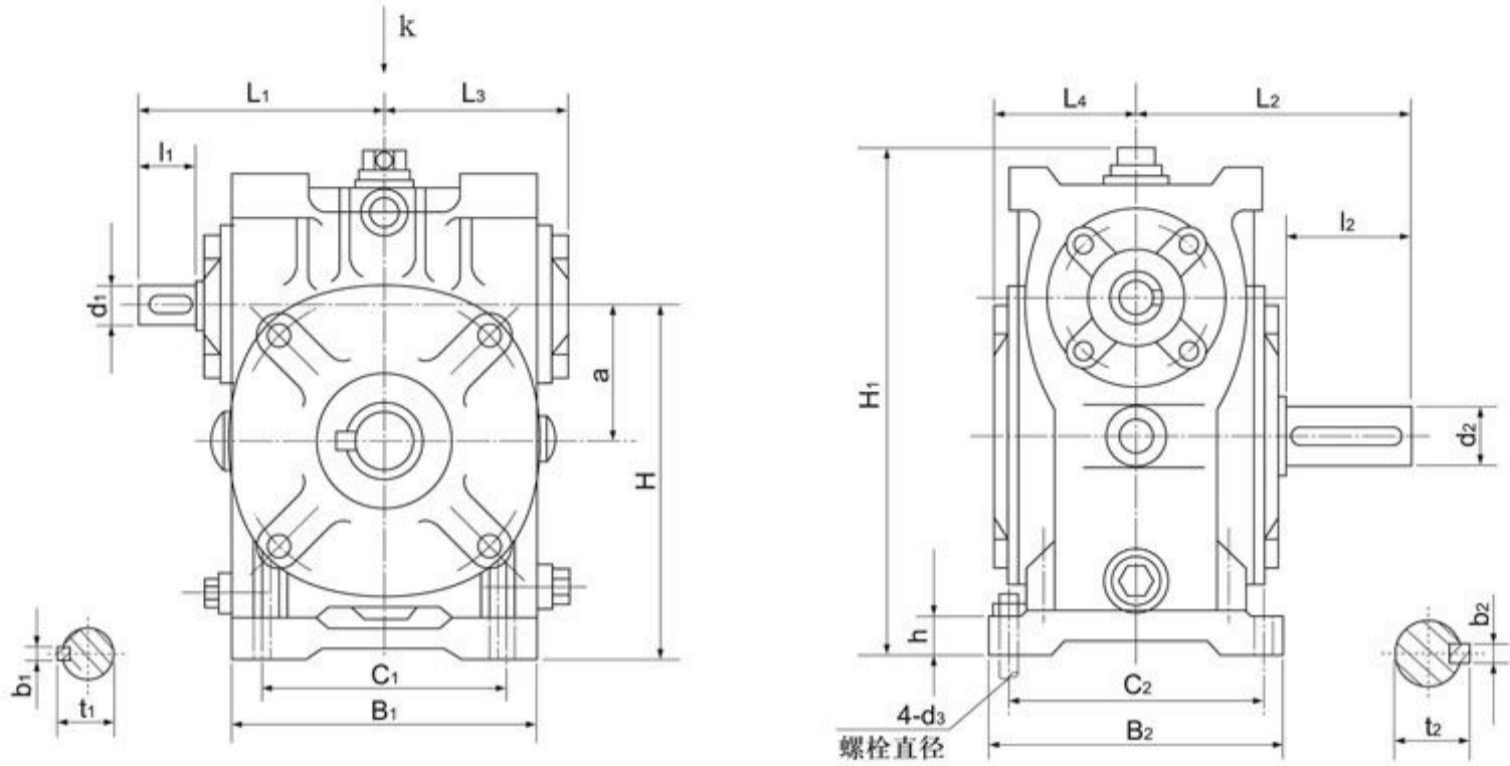


mm

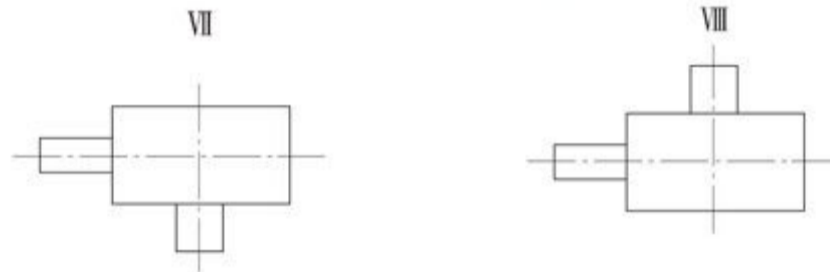
| 型号 | 尺寸 | a | B ₁ | B ₂ | B ₃ | C ₁ | C ₂ | C ₃ | d ₁ | l ₁ | b ₁ | t ₁ | L ₁ |
|--------|----|-----|----------------|----------------|----------------|----------------|----------------|----------------|----------------|----------------|----------------|----------------|----------------|
| KWS125 | | 125 | 290 | 501 | 211 | 245 | 272 | 193 | 32k6 | 58 | 10 | 35 | 218 |
| KWS160 | | 160 | 350 | 605 | 245 | 300 | 360 | 235 | 42k6 | 82 | 12 | 45 | 270 |
| KWS180 | | 180 | 390 | 690 | 280 | 330 | 385 | 255 | 45k6 | 82 | 14 | 48.5 | 300 |
| KWS200 | | 200 | 430 | 739 | 300 | 370 | 420 | 275 | 48k6 | 82 | 14 | 51.5 | 324 |
| KWS225 | | 225 | 470 | 815 | 325 | 380 | 465 | 300 | 48k6 | 82 | 14 | 51.5 | 342 |
| KWS250 | | 250 | 525 | 895 | 365 | 430 | 510 | 345 | 55m6 | 82 | 16 | 59 | 374 |

| 型号 | 尺寸 | d ₂ (m6) | l ₂ | b ₂ | t ₂ | L ₂ | L ₃ | L ₄ | h | H | d ₃ | 质量kg(不含油量) |
|--------|----|---------------------|----------------|----------------|----------------|----------------|----------------|----------------|----|-----|----------------|------------|
| KWS125 | | 55 | 82 | 16 | 59 | 215 | 202 | 125 | 32 | 140 | M16 | 82 |
| KWS160 | | 65 | 105 | 18 | 69 | 266 | 242 | 155 | 40 | 180 | M16 | 150 |
| KWS180 | | 75 | 105 | 20 | 79.5 | 280 | 267 | 167 | 45 | 190 | M20 | 210 |
| KWS200 | | 80 | 130 | 22 | 85 | 321 | 299 | 185 | 50 | 200 | M20 | 278 |
| KWS225 | | 90 | 130 | 25 | 95 | 337 | 320 | 198 | 55 | 225 | M24 | 365 |
| KWS250 | | 100 | 165 | 28 | 106 | 390 | 343 | 219 | 65 | 250 | M24 | 480 |

KWO型减速器外形尺寸及装配型式



装配型式 从k向看

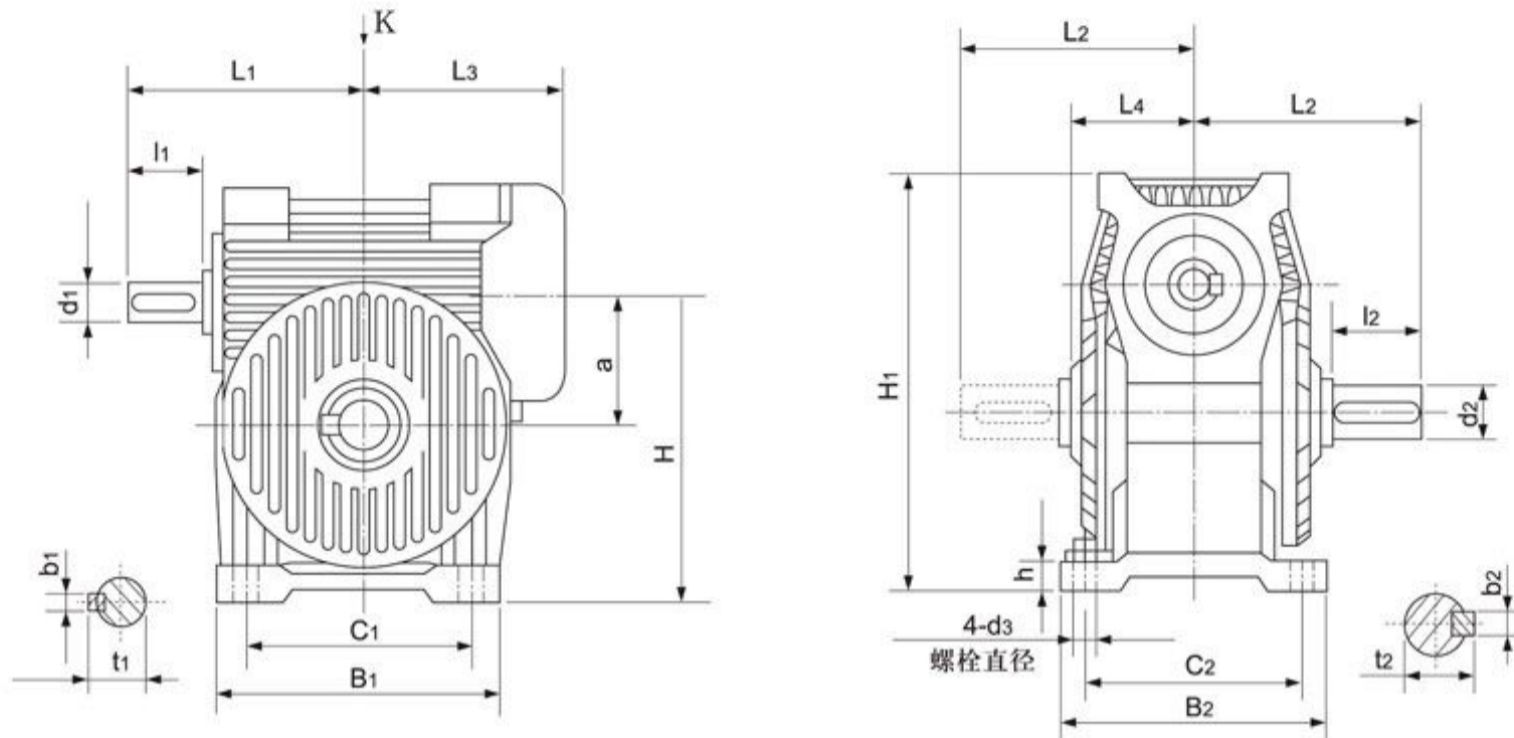


mm

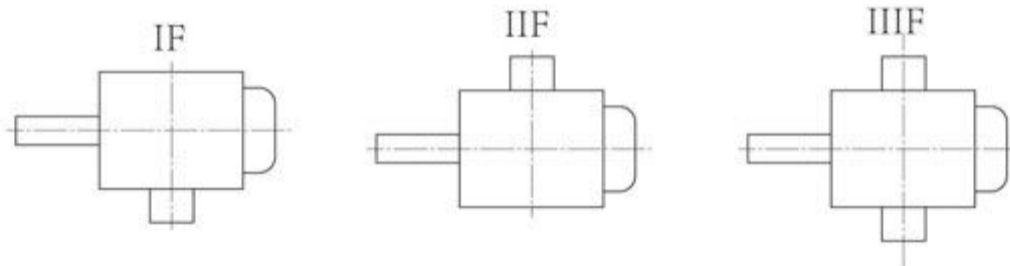
| 型号 | 尺寸 | a | B ₁ | B ₂ | C ₁ | C ₂ | h | H | H ₁ | d ₃ | d ₁ (j6) | l ₁ | b ₁ |
|--------|----|-----|----------------|----------------|----------------|----------------|----|-----|----------------|----------------|---------------------|----------------|----------------|
| KWO32 | | 32 | 97 | 88 | 75 | 75 | 10 | 90 | 126 | M5 | 12 | 25 | 4 |
| KWO40 | | 40 | 110 | 98 | 85 | 82 | 12 | 112 | 156 | M6 | 14 | 25 | 5 |
| KWO50 | | 50 | 130 | 120 | 100 | 100 | 15 | 132 | 189 | M8 | 16 | 28 | 5 |
| KWO63 | | 63 | 146 | 140 | 115 | 120 | 16 | 160 | 221 | M10 | 18 | 28 | 6 |
| KWO80 | | 80 | 175 | 170 | 140 | 145 | 20 | 200 | 270 | M12 | 22 | 36 | 6 |
| KWO100 | | 100 | 210 | 200 | 170 | 170 | 24 | 250 | 339 | M12 | 24 | 36 | 8 |

| 型号 | 尺寸 | t ₁ | L ₁ | d ₂ | l ₂ | b ₂ | t ₂ | L ₂ | L ₃ | L ₄ | 质量kg(不含油量) |
|--------|----|----------------|----------------|----------------|----------------|----------------|----------------|----------------|----------------|----------------|------------|
| KWO32 | | 13.5 | 78 | 16j6 | 28 | 5 | 18 | 80 | - | 43 | 3.8 |
| KWO40 | | 16 | 84 | 20j6 | 36 | 6 | 22.5 | 95 | - | 49 | 7.5 |
| KWO50 | | 18 | 98 | 22j6 | 36 | 8 | 24.5 | 105 | - | 57 | 10 |
| KWO63 | | 20.5 | 118 | 30j6 | 58 | 8 | 33 | 136 | 86 | 65 | 17 |
| KWO80 | | 24.5 | 146 | 38k6 | 58 | 10 | 41 | 158 | 105 | 84 | 29.5 |
| KWO100 | | 27 | 165 | 40k6 | 82 | 12 | 43 | 190 | 123 | 95 | 47 |

KWO型减速器外型尺寸及装配型式



装配型式(F-带风扇)
从K向看



mm

| 型号 | 尺寸 | a | B ₁ | B ₂ | C ₁ | C ₂ | h | H | H ₁ | d ₃ | d ₁ | l ₁ | b ₁ |
|--------|----|-----|----------------|----------------|----------------|----------------|----|-----|----------------|----------------|----------------|----------------|----------------|
| KWO125 | | 125 | 270 | 245 | 220 | 210 | 32 | 315 | 424 | M16 | 32k6 | 58 | 10 |
| KWO160 | | 160 | 325 | 295 | 270 | 255 | 40 | 385 | 525 | M16 | 42k6 | 82 | 12 |
| KWO180 | | 180 | 368 | 325 | 290 | 280 | 45 | 435 | 595 | M20 | 45k6 | 82 | 14 |
| KWO200 | | 200 | 410 | 325 | 315 | 295 | 45 | 475 | 645 | M20 | 48k6 | 82 | 14 |
| KWO225 | | 225 | 450 | 380 | 350 | 325 | 55 | 530 | 720 | M24 | 48k6 | 82 | 14 |
| KWO250 | | 250 | 500 | 415 | 435 | 355 | 65 | 600 | 800 | M24 | 55k6 | 82 | 16 |

| 型号 | 尺寸 | t ₁ | L ₁ | d ₂ (M6) | l ₂ | b ₂ | t ₂ | L ₂ | L ₃ | L ₄ | 质量kg(不含油量) |
|--------|----|----------------|----------------|---------------------|----------------|----------------|----------------|----------------|----------------|----------------|------------|
| KWO125 | | 35 | 218 | 55 | 82 | 16 | 59 | 215 | 202 | 125 | 75 |
| KWO160 | | 45 | 276 | 65 | 105 | 18 | 69 | 266 | 242 | 155 | 138 |
| KWO180 | | 48.5 | 300 | 75 | 105 | 20 | 79.5 | 280 | 267 | 167 | 192 |
| KWO200 | | 51.5 | 324 | 80 | 130 | 22 | 85 | 321 | 299 | 185 | 264 |
| KWO225 | | 51.5 | 342 | 90 | 130 | 25 | 95 | 337 | 320 | 198 | 330 |
| KWO250 | | 59 | 374 | 100 | 165 | 28 | 106 | 390 | 343 | 219 | 450 |



4 输入功率与输出转矩 >>>>>

KW型蜗杆减速机额定输入功率及额定输出转矩表

| 传动比代号 | 公称传动比 i | 输入转速 n ₁ /r·min | 中心距代号 | 1 | 2 | 3 | 4 | 5 | 6 | 7 | 8 | 9 | 10 | 11 | 12 | |
|-------|----------------|----------------------------|--|-------------|-------|-------|-------|--------|-------|-------|-------|-------|-------|-------|-------|--|
| | | | 中心距 a/mm | 32 | 40 | 50 | 63 | 80 | 100 | 125 | 160 | 180 | 200 | 225 | 250 | |
| | | | 型号 | KWU、KWS、KWO | | | | | | | | | | | | |
| | | | 额定输入功率P ₁ /kw 额定输出转矩T ₂ /N·m | | | | | | | | | | | | | |
| 1 | 7.5 | 1500 | P ₁ | - | 0.76 | 1.16 | 1.98 | 3.22 | 7.62 | 15.61 | 19.98 | 32.54 | 42.51 | 50.86 | 64.56 | |
| | | | T ₂ | - | 28.7 | 44.1 | 80.1 | 142.6 | 343.6 | 700 | 900 | 1370 | 1925 | 2160 | 3000 | |
| | | 1000 | P ₁ | - | 0.59 | 0.90 | 1.40 | 2.30 | 6.14 | 11.10 | 16.66 | 24.11 | 38.26 | 42.24 | 54.34 | |
| | | | T ₂ | - | 33.2 | 50.6 | 84.3 | 149.7 | 406.1 | 730 | 1100 | 1520 | 2600 | 2670 | 3700 | |
| | | 750 | P ₁ | - | 0.49 | 0.77 | 1.15 | 1.88 | 5.29 | 8.59 | 14.45 | 18.89 | 31.74 | 35.83 | 42.05 | |
| | | | T ₂ | - | 36.5 | 57.2 | 91.31 | 161.74 | 462.4 | 750 | 1270 | 1570 | 2835 | 3020 | 3820 | |
| 500 | P ₁ | - | 0.36 | 0.63 | 0.90 | 1.48 | 4.18 | 6.28 | 10.97 | 13.44 | 23.29 | 29.69 | 36.05 | | | |
| | T ₂ | - | 40.1 | 70.1 | 106.4 | 187.9 | 539.8 | 810 | 1430 | 1650 | 3000 | 3680 | 4850 | | | |
| 2 | 10 | 1500 | P ₁ | 0.33 | 0.65 | 1.12 | 1.90 | 3.13 | 5.77 | 14.30 | 25.01 | 30.67 | 35.82 | 49.17 | 58.19 | |
| | | | T ₂ | 16.5 | 30.6 | 55.9 | 100.1 | 170.0 | 335.3 | 840 | 1480 | 1680 | 2120 | 2720 | 3470 | |
| | | 1000 | P ₁ | 0.26 | 0.48 | 0.82 | 1.37 | 2.19 | 4.17 | 10.36 | 18.22 | 22.14 | 26.43 | 36.44 | 42.71 | |
| | | | T ₂ | 19.2 | 33.7 | 61.4 | 107.6 | 177.7 | 358.2 | 900 | 1610 | 1800 | 2320 | 3010 | 3780 | |
| | | 750 | P ₁ | 0.23 | 0.38 | 0.66 | 1.15 | 1.79 | 3.51 | 8.39 | 13.99 | 17.02 | 20.46 | 28.55 | 35.19 | |
| | | | T ₂ | 21.9 | 36.0 | 65.6 | 118.0 | 191.7 | 399.1 | 960 | 1630 | 1830 | 2370 | 3120 | 4160 | |
| 500 | P ₁ | 0.18 | 0.29 | 0.49 | 0.92 | 1.40 | 2.95 | 6.64 | 10.14 | 12.35 | 14.49 | 20.31 | 24.36 | | | |
| | T ₂ | 25.9 | 39.4 | 71.8 | 139.4 | 222.3 | 499.1 | 1120 | 1730 | 1950 | 2460 | 2360 | 4210 | | | |
| 3 | 12.5 | 1500 | P ₁ | - | - | 0.84 | 1.48 | 3.05 | 4.81 | 11.68 | 19.56 | 30.84 | 31.23 | 44.72 | 55.40 | |
| | | | T ₂ | - | - | 55.1 | 101.7 | 206.7 | 360.5 | 860 | 1500 | 2140 | 2400 | 3030 | 4160 | |
| | | 1000 | P ₁ | - | - | 0.62 | 1.10 | 2.05 | 3.44 | 8.75 | 16.46 | 22.15 | 28.21 | 32.97 | 40.69 | |
| | | | T ₂ | - | - | 60.5 | 111.7 | 223.1 | 378.4 | 940 | 1860 | 2280 | 3230 | 3320 | 4540 | |
| | | 750 | P ₁ | - | - | 0.51 | 0.96 | 1.69 | 2.81 | 7.06 | 13.44 | 17.08 | 21.55 | 25.67 | 32.63 | |
| | | | T ₂ | - | - | 64.5 | 129.1 | 243.3 | 409.3 | 1000 | 2010 | 2320 | 3250 | 3410 | 4840 | |
| 500 | P ₁ | - | - | 0.37 | 0.76 | 1.24 | 2.20 | 6.15 | 9.86 | 12.44 | 15.33 | 18.13 | 22.76 | | | |
| | T ₂ | - | - | 70.4 | 149.9 | 265.3 | 473.9 | 1290 | 2170 | 2490 | 3450 | 3530 | 4930 | | | |
| 4 | 15 | 1500 | P ₁ | - | 0.50 | 0.75 | 1.42 | 2.35 | 4.05 | 10.57 | 19.56 | 27.54 | 32.89 | 47.38 | 49.89 | |
| | | | T ₂ | - | 34.0 | 51.8 | 104.6 | 190.5 | 342.0 | 900 | 1650 | 2430 | 2955 | 4200 | 4400 | |
| | | 1000 | P ₁ | - | 0.39 | 0.59 | 1.08 | 1.63 | 3.19 | 7.89 | 14.39 | 20.44 | 24.97 | 35.00 | 41.28 | |
| | | | T ₂ | - | 39.7 | 60.0 | 117.8 | 196.0 | 391.5 | 980 | 1800 | 2660 | 3325 | 4610 | 5500 | |
| | | 750 | P ₁ | - | 0.32 | 0.51 | 0.95 | 1.33 | 2.62 | 7.42 | 13.20 | 16.49 | 20.82 | 26.75 | 35.36 | |
| | | | T ₂ | - | 42.7 | 68.2 | 135.7 | 210.0 | 421.4 | 1200 | 2150 | 2840 | 3670 | 4650 | 6260 | |
| 500 | P ₁ | - | 0.23 | 0.42 | 0.72 | 1.04 | 2.07 | 5.69 | 10.56 | 12.18 | 16.50 | 19.29 | 26.73 | | | |
| | T ₂ | - | 46.5 | 84.0 | 153.7 | 242.2 | 487.2 | 1350 | 2470 | 3090 | 4260 | 4930 | 6980 | | | |
| 5 | 20 | 1500 | P ₁ | - | 0.41 | 0.72 | 1.34 | 2.25 | 3.43 | 8.34 | 14.20 | 23.24 | 24.60 | 38.28 | 43.65 | |
| | | | T ₂ | - | 36.0 | 65.6 | 129.4 | 223.6 | 376.5 | 930 | 1600 | 2450 | 2825 | 4090 | 4980 | |
| | | 1000 | P ₁ | - | 0.31 | 0.53 | 0.98 | 1.69 | 2.43 | 6.79 | 10.43 | 16.75 | 21.33 | 28.28 | 31.68 | |
| | | | T ₂ | - | 39.4 | 71.8 | 137.0 | 248.2 | 387.3 | 1100 | 1730 | 2580 | 3600 | 4490 | 5340 | |
| | | 750 | P ₁ | - | 0.24 | 0.42 | 0.81 | 1.43 | 1.98 | 5.55 | 8.59 | 14.33 | 18.10 | 23.14 | 25.40 | |
| | | | T ₂ | - | 41.9 | 76.3 | 149.1 | 273.6 | 414.9 | 1180 | 1850 | 2880 | 4050 | 4810 | 5670 | |
| 500 | P ₁ | - | 0.18 | 0.31 | 0.61 | 1.16 | 1.56 | 4.26 | 6.72 | 10.66 | 14.38 | 18.38 | 18.64 | | | |
| | T ₂ | - | 45.4 | 82.7 | 164.6 | 319.9 | 478.6 | 1320 | 2100 | 3130 | 4635 | 5550 | 6000 | | | |

KW系列减速机安装尺寸表



KW型蜗杆减速机额定输入功率及额定输出转矩续表

| 传动比代号 | 公称传动比 i | 输入转速 $n_1/r \cdot \min$ | 中心距代号 | 1 | 2 | 3 | 4 | 5 | 6 | 7 | 8 | 9 | 10 | 11 | 12 | |
|-------|-----------|-------------------------|-------------------|---|------|-------|-------|--------|-------|-------|-------|-------|-------|-------|-------|-------|
| | | | 中心距 a/mm | 32 | 40 | 50 | 63 | 80 | 100 | 125 | 160 | 180 | 200 | 225 | 250 | |
| | | | 型号 | KWU、KWS、KWO | | | | | | | | | | | | |
| | | | | 额定输入功率 P_1/kw 额定输出转矩 $T_2/\text{N} \cdot \text{m}$ | | | | | | | | | | | | |
| 6 | 25 | 1500 | P ₁ | 0.22 | - | 0.55 | 0.95 | 1.86 | 3.18 | 5.94 | 10.16 | 13.62 | 17.52 | 24.81 | 29.68 | |
| | | | T ₂ | 22.6 | - | 64.5 | 119.1 | 243.3 | 429.7 | 790 | 1425 | 1750 | 2500 | 3155 | 4195 | |
| | | 1000 | P ₁ | 0.16 | - | 0.41 | 0.69 | 1.36 | 2.25 | 4.80 | 8.67 | 12.95 | 15.80 | 18.00 | 23.18 | |
| | | | T ₂ | 24.4 | - | 70.4 | 129.9 | 265.3 | 445.7 | 950 | 1815 | 2460 | 3320 | 3390 | 4845 | |
| | | 750 | P ₁ | 0.13 | - | 0.32 | 0.56 | 1.09 | 1.82 | 4.52 | 8.35 | 10.66 | 13.00 | 14.72 | 18.02 | |
| | | | T ₂ | 25.9 | - | 74.6 | 137.7 | 281.0 | 480.0 | 1160 | 2295 | 2660 | 3600 | 3645 | 4950 | |
| | 500 | P ₁ | 0.09 | - | 0.23 | 0.41 | 0.80 | 1.44 | 3.30 | 6.71 | 8.35 | 10.17 | 11.45 | 13.58 | | |
| | | T ₂ | 26.3 | - | 80.5 | 148.6 | 303.0 | 556.8 | 1250 | 2690 | 3045 | 4100 | 4110 | 5520 | | |
| | 7 | 30 | 1500 | P ₁ | 0.18 | 0.34 | 0.51 | 0.98 | 1.58 | 2.64 | 5.28 | 11.67 | 13.18 | 19.02 | 20.75 | 21.15 |
| | | | | T ₂ | 21.4 | 41.3 | 62.7 | 121.9 | 226.1 | 387.4 | 808 | 1780 | 2010 | 3000 | 3305 | 3475 |
| | | | 1000 | P ₁ | 0.14 | 0.27 | 0.40 | 0.71 | 1.19 | 1.92 | 4.06 | 8.54 | 10.74 | 14.22 | 15.13 | 15.45 |
| | | | | T ₂ | 24.7 | 48.3 | 71.7 | 128.3 | 247.7 | 414.3 | 900 | 1900 | 2350 | 3280 | 3525 | 3730 |
| 750 | | | P ₁ | 0.12 | 0.24 | 0.34 | 0.62 | 1.04 | 1.76 | 3.39 | 7.42 | 8.45 | 11.29 | 12.10 | 12.69 | |
| | | | T ₂ | 27.0 | 54.4 | 78.8 | 141.2 | 281.84 | 488.6 | 950 | 2100 | 2470 | 3410 | 3685 | 3980 | |
| 500 | | P ₁ | 0.09 | 0.17 | 0.28 | 0.48 | 0.80 | 1.31 | 2.74 | 5.69 | 6.94 | 8.68 | 8.74 | 9.92 | | |
| | | T ₂ | 30.1 | 57.8 | 95.4 | 160.5 | 316.6 | 524.3 | 1100 | 2300 | 2810 | 3680 | 3875 | 4570 | | |
| 8 | | 40 | 1500 | P ₁ | - | 0.26 | 0.35 | 0.94 | 1.64 | 2.33 | 4.91 | 8.46 | 11.58 | 15.64 | 19.08 | 26.93 |
| | | | | T ₂ | - | 38.9 | 55.3 | 149.5 | 262.1 | 447.8 | 960 | 1700 | 2160 | 3160 | 3605 | 5630 |
| | | | 1000 | P ₁ | - | 0.22 | 0.32 | 0.68 | 1.17 | 1.63 | 3.85 | 7.08 | 8.66 | 12.90 | 14.13 | 20.18 |
| | | | | T ₂ | - | 46.1 | 72.1 | 155.9 | 268.8 | 450.1 | 1075 | 2000 | 2325 | 3810 | 3915 | 6170 |
| | 750 | | P ₁ | - | 0.18 | 0.30 | 0.56 | 0.93 | 1.33 | 3.17 | 5.88 | 7.19 | 10.60 | 11.67 | 16.06 | |
| | | | T ₂ | - | 49.9 | 87.9 | 168.6 | 276.9 | 477.9 | 1150 | 2200 | 2505 | 4000 | 4145 | 6430 | |
| | 500 | P ₁ | - | 0.13 | 0.21 | 0.42 | 0.72 | 1.05 | 2.52 | 4.65 | 5.68 | 8.42 | 9.18 | 11.68 | | |
| | | T ₂ | - | 54.0 | 91.5 | 185.5 | 315.5 | 546.7 | 1325 | 2500 | 2885 | 4700 | 4800 | 6900 | | |
| | 9 | 50 | 1500 | P ₁ | 0.15 | 0.24 | 0.30 | 0.67 | 1.30 | 1.89 | 4.02 | 6.20 | 10.77 | 12.06 | 15.46 | 18.92 |
| | | | | T ₂ | 25.1 | 41.1 | 56.2 | 137.7 | 281.0 | 439.3 | 940 | 1520 | 2400 | 3000 | 3520 | 4810 |
| | | | 1000 | P ₁ | 0.11 | 0.20 | 0.27 | 0.50 | 0.97 | 1.49 | 3.54 | 5.45 | 8.32 | 10.03 | 11.53 | 14.08 |
| | | | | T ₂ | 28.7 | 49.3 | 74.7 | 148.6 | 303.0 | 508.8 | 1200 | 1900 | 2720 | 3660 | 3845 | 5270 |
| 750 | | | P ₁ | 0.09 | 0.16 | 0.23 | 0.41 | 0.78 | 1.23 | 2.88 | 4.92 | 6.92 | 8.72 | 9.57 | 11.67 | |
| | | | T ₂ | 31.4 | 51.3 | 84.1 | 156.0 | 318.0 | 543.8 | 1280 | 2250 | 2960 | 4210 | 4165 | 5725 | |
| 500 | | P ₁ | 0.06 | 0.14 | 0.16 | 0.29 | 0.57 | 0.97 | 2.13 | 4.03 | 5.48 | 7.20 | 7.55 | 9.20 | | |
| | | T ₂ | 34.2 | 54.9 | 87.1 | 165.8 | 337.6 | 626.3 | 1400 | 2750 | 3415 | 5000 | 4800 | 6600 | | |
| 10 | | 60 | 1500 | P ₁ | - | 0.22 | 0.25 | 0.43 | 1.09 | 1.59 | 3.25 | 4.89 | 7.60 | 9.77 | 10.60 | 13.10 |
| | | | | T ₂ | - | 43.6 | 56.2 | 97.8 | 256.4 | 390.0 | 852 | 1300 | 2095 | 2800 | 3010 | 3800 |
| | | | 1000 | P ₁ | - | 0.16 | 0.23 | 0.34 | 0.82 | 1.19 | 2.63 | 4.14 | 6.41 | 7.35 | 8.34 | 11.48 |
| | | | | T ₂ | - | 46.2 | 75.4 | 113.5 | 275.0 | 428.9 | 1000 | 1600 | 2615 | 3100 | 3490 | 4830 |
| | 750 | | P ₁ | - | 0.13 | 0.20 | 0.33 | 0.68 | 1.07 | 2.24 | 3.79 | 5.50 | 7.21 | 7.87 | 9.53 | |
| | | | T ₂ | - | 48.3 | 84.0 | 136.4 | 290.4 | 462.6 | 1100 | 1900 | 2830 | 3820 | 4100 | 5200 | |
| | 500 | P ₁ | - | 0.09 | 0.15 | 0.27 | 0.52 | 0.80 | 1.93 | 3.16 | 4.52 | 5.55 | 6.30 | 7.52 | | |
| | | T ₂ | - | 51.1 | 87.6 | 167.6 | 330.7 | 513.6 | 1340 | 2250 | 3290 | 4150 | 4735 | 6100 | | |



格鲁夫机械设备制造有限公司

Gelufu Machinery Equipment Manufacturing Co. Ltd

地址 (ADD) : 河北•保定 邮编 (P.C) : 071000

电话 (TEL) : +86-312-6784766

传真 (FAX) : +86-312-6784733

<http://www.gelufu.com>

E-mail: china@gelufu.com

