



LCW系列蜗轮蜗杆减速机
LCW worm reducer

GELUFU

格鲁夫机械设备制造有限公司
Gelufu Machinery Equipment Manufacturing Co. Ltd

关于格鲁夫 >> 企业概况

COMPANY PROFILE

GELUFU 的市场定位是业界最佳传动设备供应商，日本产品的低成本，德国产品的稳定性，超的基准。只要我们持续地改进，就会无穷地逼近高质量、低成本和高效率的理想目标。

公司经营R系列斜齿轮减速电机，S系列斜齿轮-蜗轮减速电机，F系列平行轴斜齿轮减速电机，K系列斜齿轮-锥齿轮减速电机，摆线针轮减速机，T系列螺旋锥齿轮转向箱，H、B系列标准工业齿轮箱，蜗轮丝杆升降机，RV系列蜗轮蜗杆减速机等十余个系列，数千种规格的产品，是目前国际上工业动力传输领域最普遍采用的减速驱动装置。

以上产品广泛应用于冶金、矿山、石化、烟草、陶瓷、橡塑、粮油食品、啤酒饮料、交通运输及国内新兴的物流设备、立体车库、环保等行业，为您的驱动应用提供先进并且经济的选择，使您的生产更顺畅，业绩更辉煌。

产品采用了系列化、模块化的设计思想，使产品具有了广泛的适应性，单件产品可以独立成台实现其所具备的功能，又可和本系列或其它机型组合，组成满足不同需要的减变速机组。

公司铭刻、坚持以质量为本，以信誉求发展，以向国内外用户提供可信性的产品为宗旨的方针，不断引进新设备新技术、并且最优秀的人才投入开发与研究，使企业具备了赶超先进水平的技术实力，使产品的技术性能、内部结构和外观造型都具有优良的品质。公司的各类产品销往全国各地，出口日本、美国、德国、东南亚等众多国家和地区，深受用户的好评。

公司宗旨：科技先锋、质量楷模。公司方针“一流企业、一流技术、一流产品、一流服务”，欢迎各方宾客惠顾。



GELUFU Machinery Co., Ltd is a professional company specialized in researching, developing manufacturing and selling gearboxes which was referred by machinery industry Ministry. It is the ISO 9001 certification enterprises.

The products combined more than 10 series gearboxes with thousands of specifications, which include R Rigid tooth flank helical gear units, S Helical-worm gear units, K Helical-bevel gear units, F Parallel shaft helical gear units, T Spiral bevel gear units, SWL, JW Worm screw jack, H, B Rigid tooth flank gear units, P Planetary gear units, RV Worm reducer. These products are slowdown drive device that is commonly adopted in the field of current international industrial transmission.

These products are widely applied to the metallurgy, mine, petroleum chemical, tobacco, ceramics, rubber-plastics, food packaging, beer beverage, transportation and logistics equipment, automatic parking garage, environmental protection equipment, etc., which provided advanced but economic choice for your driving application so as to make your production more smoothly and your achievements more brilliant.

Products of our company adopted serialized and modularized design idea, which make our product have wide adaptability, single piece machine can embody its own function or can from gearbox and variable-gearbox to meet different needs in combination with same series products or other types.

Company engraves and insist on quality-based. We Seek development by reputation and supply the credible products to the customer at home and abroad as purpose. Our company have Introduced new equipment and new technology, thrown the excellent talented person into development and research, made the company possess the technical strength of catching up with and surpass advanced level and made the products possess good quality on technical performance, internal structure and the appearance of design. The products have been exported far to Japan, America, German, east-south Asia etc. and have received a good reputation from its users.

Company purpose: Technology vanguard, quality model. company tenet: First - class enterprises, first-class technology, first-class products, first-class service. welcome to visit our company.

1 概述 >>>>>

LCW系列立式圆弧圆柱蜗杆减速器，符合JB/T7848—1995标准。是一种专用传动装置，主要用于化工、制药、有色冶金、建筑、食品、环保及轻工等行业的搅拌设备中，其工作条件与圆弧圆柱蜗杆减速器相同。

立式圆弧圆柱蜗杆减速器除具有圆弧圆柱蜗杆减速器的优点外，还具有以下特点：

- (1) 减速器的总传动比可灵活调整；第1级采用带传动，改变带轮直径即可调整总传动比。
- (2) 传动带采用窄V带，承载能力高，带的根数最多为4根，减小了结构尺寸。
- (3) 蜗轮支承跨距的增大，改善了输出轴的受力状况，并可省去支架上的中间支承环节，使整机高度明显减小。
- (4) 传动带的预紧调整采用螺柱螺母，操作灵活，简便可靠。
- (5) 整机结构紧凑，协调稳定。

2 型号、中心距、速比、标记示例 >>>>>

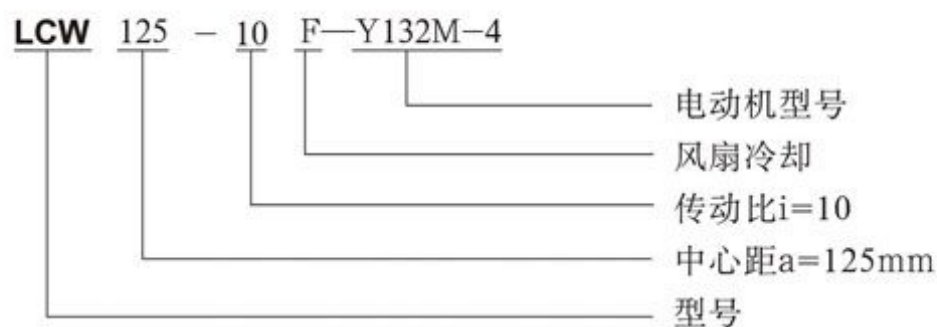
2.1 型号

LCW系列立式圆弧圆柱蜗杆减速器的型号用**LCW**表示，其中L表示减速器型式为立式，C表示蜗杆齿形ZC₁，W表示蜗杆减速器。

2.2 中心距共8种，分别为：80mm、100mm、125mm、160mm、180mm、200mm、225mm、250mm

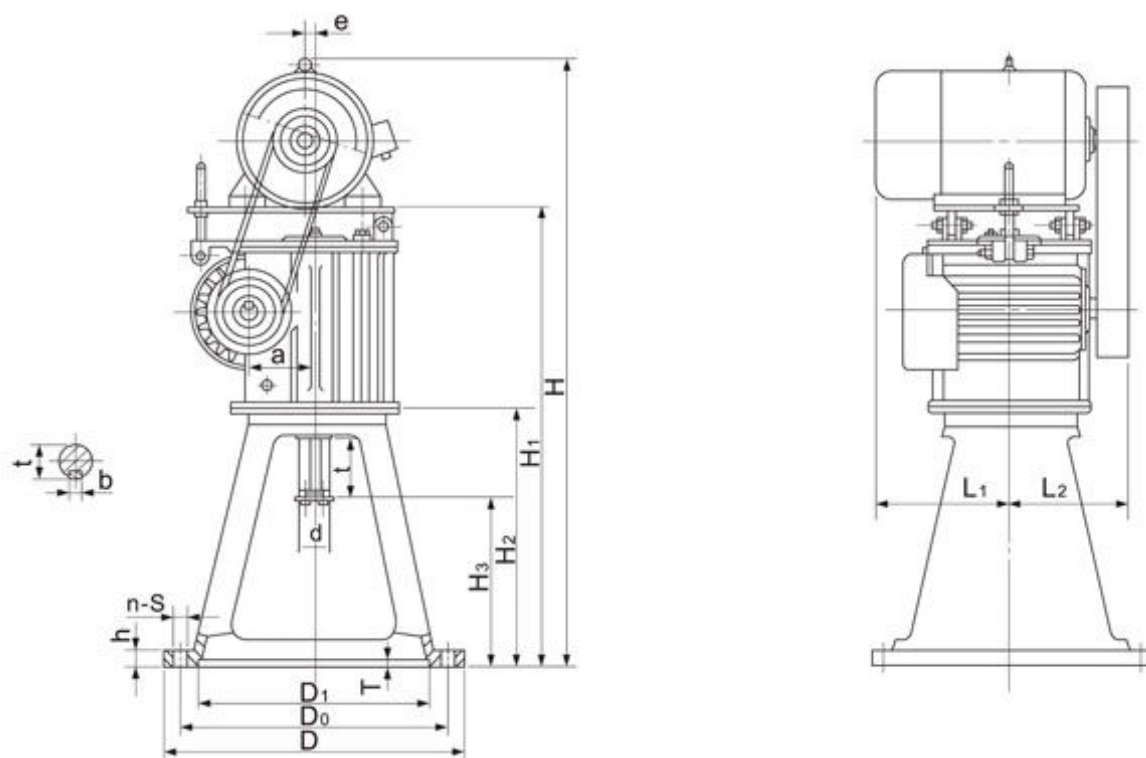
2.3 速比有10种，分别为：8、10、12.5、16、20、25、31.5、40、50、63

2.4 标记示例：



3 外形及安装尺寸 >>>>>

LCW系列外形安装尺寸



LCW系列立式圆弧圆柱蜗杆减速器外形尺寸

| 型号 | a | D | D ₀ | D ₁ | T | h | d | i | b | t | e | H | H ₁ | H ₂ | H ₃ | L ₁ | L ₂ | n-s | 电机功率 P ₁ /kw | 重量kg |
|--------|-----|-----|----------------|----------------|---|----|-------|-----|----|------|----|-----------|----------------|----------------|----------------|----------------|----------------|---------|----------------------------|----------|
| LCW80 | 80 | 305 | 270 | 235 | 6 | 24 | 40K6 | 82 | 12 | 43 | 10 | 914~989 | 744 | 445 | 340 | 130~225 | 156 | 8-φ14.5 | 0.75~1.5 | 98~118 |
| | | 350 | 300 | 250 | | | | | | | | | | | | | | | 2.2 | |
| | | 395 | 360 | 315 | | | | | | | | | | | | | | | 3 | |
| LCW100 | 100 | 350 | 300 | 250 | 6 | 26 | 45K6 | 82 | 14 | 48.5 | 10 | 975~1100 | 785 | 450 | 345 | 145~255 | 186 | 8-φ14.5 | 1.5~2.2 | 145~185 |
| | | 495 | 455 | 400 | | | | | | | | | | | | | | | 4~5.5 | |
| | | 455 | 400 | 355 | | | | | | | | | | | | | | | 3 | |
| LCW125 | 125 | 495 | 455 | 400 | 6 | 26 | 60m6 | 105 | 18 | 64 | 15 | 1140~1280 | 895 | 505 | 370 | 200~330 | 225 | 8-φ18.5 | 4~5.5 | 215~298 |
| | | 560 | 510 | 450 | | | | | | | | | | | | | | | 7.5~11 | |
| | | 560 | 510 | 450 | | | | | | | | | | | | | | | 5.5~11 | |
| LCW160 | 160 | 600 | 560 | 490 | 6 | 30 | 70m6 | 105 | 20 | 74.5 | 20 | 1350~1465 | 1035 | 535 | 390 | 242~405 | 285 | 8-φ24 | 11~15 | 345~465 |
| | | 650 | 600 | 550 | | | | | | | | | | | | | | | 22 | |
| | | 560 | 510 | 450 | | | | | | | | | | | | | | | 7.5~11 | |
| LCW180 | 180 | 600 | 560 | 490 | 6 | 30 | 85m6 | 130 | 22 | 90 | 20 | 1459~1619 | 1144 | 585 | 415 | 257~455 | 310 | 12-φ24 | 18.5 | 385~575 |
| | | 650 | 600 | 550 | | | | | | | | | | | | | | | 22 | |
| | | 560 | 510 | 450 | | | | | | | | | | | | | | | 7.5~11 | |
| LCW200 | 200 | 650 | 600 | 550 | 6 | 30 | 90m6 | 130 | 25 | 95 | 20 | 1535~1750 | 1200 | 605 | 435 | 292~463 | 330 | 12~φ24 | 7.5~15 | 480~685 |
| | | 650 | 600 | 550 | | | | | | | | | | | | | | | 22~37 | |
| | | 600 | 560 | 490 | | | | | | | | | | | | | | | 11~15 | |
| LCW225 | 225 | 650 | 600 | 550 | 6 | 30 | 100m6 | 165 | 28 | 106 | 25 | 1726~1871 | 1341 | 665 | 455 | 317~445 | 355 | 12-φ24 | 22~45 | 620~815 |
| | | 600 | 560 | 490 | | | | | | | | | | | | | | | 11~18.5 | |
| | | 600 | 560 | 490 | | | | | | | | | | | | | | | 22~45 | |
| LCW250 | 250 | 700 | 650 | 600 | 6 | 30 | 110m6 | 165 | 28 | 116 | 25 | 1785~1975 | 1390 | 680 | 470 | 357~492 | 390 | 12-φ24 | 22~45 | 730~1040 |
| | | 650 | 600 | 550 | | | | | | | | | | | | | | | 55 | |
| | | 600 | 560 | 490 | | | | | | | | | | | | | | | 11~18.5 | |

注：1. 减速器支架的型式与尺寸亦可根据用户要求另行确定。

2. 表中与电机相关的尺寸是按Y系列电机确定的，亦可根据用户要求选用其它类型的电机。

4 性能参数 >>>>>

立式圆弧圆柱蜗杆减速器传动比表1

| 规格型号 | 公称传动比 <i>i</i> | 电动机功率 P_i /kw | 电动机型号 | 带轮直径 D /mm | V带 | | 输出转速 n_2 /(r/min) | 输出转矩 T_2 /(N·m) |
|--------|----------------|--------------------|----------|-----------------|------|-----|------------------------|----------------------|
| | | | | | 型号 | 根数 | | |
| LCW80 | 8 | 4.0 | Y112M-4 | 90 | SPZ | 3 | 182 | 180 |
| | 10 | 3.0 | Y100L2-4 | 100 | | | 145 | 160 |
| | 12.5 | | | | | | 122 | 190 |
| | 16 | 2.2 | Y100L1-4 | | | | 97 | 165 |
| | 20 | | | | | | 73 | 220 |
| | 25 | 1.5 | Y90L-4 | | | | 59 | 175 |
| | 31.5 | | | | | | 48 | 200 |
| | 40 | 1.1 | Y90S-4 | | | | 37 | 190 |
| | 50 | | | | | | 29 | 225 |
| 63 | 0.75 | Y802-4 | 112 | | 25 | 175 | | |
| LCW100 | 8 | 5.5 | Y132S-4 | 132 | SPZ | 3 | 182 | 240 |
| | 10 | | | | | | 145 | 305 |
| | 12.5 | 4.0 | Y112M-4 | | | | 112 | 122 |
| | 16 | | | 97 | | | | 320 |
| | 20 | 2.2 | Y100L1-4 | 118 | | | | 73 |
| | 25 | | | | | | 61 | 265 |
| | 31.5 | 1.5 | Y90L-4 | | | | 125 | 48 |
| | 40 | | | 37 | | | | 270 |
| | 50 | 1.5 | Y90L-4 | 125 | | | | 30 |
| 63 | 25 | | | | 360 | | | |
| LCW125 | 8 | 11 | Y160M-4 | | 160 | SPA | 3 | 182 |
| | 10 | | | 145 | | | | 625 |
| | 12.5 | 7.5 | Y132M-4 | 140 | | | | 122 |
| | 16 | | | | 97 | | | 605 |
| | 20 | 5.5 | Y132S-4 | | 150 | | | 73 |
| | 25 | | | 59 | | | | 705 |
| | 31.5 | 4.0 | Y112M-4 | 150 | | | | 50 |
| | 40 | | | | 37 | | | 760 |
| | 50 | 3.0 | Y100L2-4 | | 150 | | | 30 |
| 63 | 25 | | | 765 | | | | |
| LCW160 | 8 | 22 | Y180L-4 | 224 | | SPB | 3 | 176 |
| | 10 | | | | 145 | | | 1285 |
| | 12.5 | 18.5 | Y180M-4 | | 180 | | | 122 |
| | 16 | | | 97 | | | | 1270 |
| | 20 | 11 | Y160M-4 | 180 | | | | 73 |
| | 25 | | | | 61 | | | 1530 |
| | 31.5 | 7.5 | Y132M-4 | | 120 | | | 48 |
| | 40 | | | 37 | | | | 1500 |
| | 50 | 5.5 | Y132S-4 | 120 | | | | 30 |
| 63 | 25 | | | | 1540 | | | |

立式圆弧圆柱蜗杆减速器传动比表2

| 规格型号 | 公称传动比 <i>i</i> | 电动机功率 P_i /kw | 电动机型号 | 带轮直径 D /mm | V带 | | 输出转速 n_2 /(r/min) | 输出转矩 T_2 /(N·m) |
|--------|----------------|--------------------|---------|-----------------|-----|------|------------------------|----------------------|
| | | | | | 型号 | 根数 | | |
| LCW180 | 8 | 30 | Y200L-4 | 250 | SPB | 3 | 207 | 1200 |
| | 10 | | | | | | 155 | 1650 |
| | 12.5 | 18.5 | Y180M-4 | 200 | | | 125 | 1585 |
| | 16 | | | | | | 91 | 2000 |
| | 20 | | | | | | 77 | 1960 |
| | 25 | 11 | Y160M-4 | 280 | | | 58 | 1470 |
| | 31.5 | | | | | | 45 | 1840 |
| | 40 | | | | | | 38 | 2195 |
| | 50 | | | | | | 29 | 1990 |
| | 63 | 7.5 | Y132M-4 | 224 | | | 25 | 2095 |
| LCW200 | 8 | 45 | Y225M-4 | 280 | SPC | 3 | 182 | 2140 |
| | 10 | 37 | Y225S-4 | | | | 145 | 2180 |
| | 12.5 | 30 | Y200L-4 | 236 | | | 118 | 2150 |
| | 16 | | | | | | 97 | 2600 |
| | 20 | 22 | Y180L-4 | 250 | | | 73 | 2490 |
| | 25 | 15 | Y160L-4 | | | | 250 | 59 |
| | 31.5 | | | 48 | | | | 2390 |
| | 40 | | | 37 | | | | 3110 |
| | 50 | 11 | Y160M-4 | 280 | | | 30 | 2705 |
| | 63 | 7.5 | Y132M-4 | | | | 25 | 2150 |
| LCW225 | 8 | 45 | Y225M-4 | 250 | SPC | 4 | 207 | 1830 |
| | 10 | | | | | | 141 | 2740 |
| | 12.5 | 37 | Y225S-4 | 3 | | | 125 | 2520 |
| | 16 | 30 | Y200L-4 | | | | 280 | 94 |
| | 20 | | | | | 77 | | 3240 |
| | 25 | 22 | Y180L-4 | | | 58 | 3100 | |
| | 31.5 | 15 | Y160L-4 | | | 236 | 47 | 2470 |
| | 40 | | | | | | 38 | 3060 |
| | 50 | 11 | Y160M-4 | 280 | | 29 | 2840 | |
| | 63 | | | | | 26 | 3115 | |
| LCW250 | 8 | 55 | Y250M-4 | 300 | SPC | 4 | 182 | 2510 |
| | 10 | | | | | | 145 | 3250 |
| | 12.5 | 45 | Y225-4 | 315 | | 3 | 122 | 3150 |
| | 16 | | | | | | 97 | 4140 |
| | 20 | 37 | Y225S-4 | 73 | | | 4210 | |
| | 25 | 30 | Y200L-4 | 59 | | | 4200 | |
| | 31.5 | 22 | Y180L-4 | 280 | | | 48 | 3595 |
| | 40 | | | | | | 37 | 4635 |
| | 50 | 18.5 | Y180M-4 | 30 | | 4625 | | |
| | 63 | 11 | Y160M-4 | 25 | | 3170 | | |

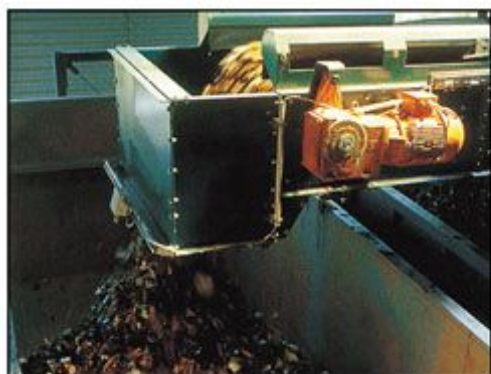
格鲁夫产品>>应用案例

APPLICATION CASE

从核心产业到环境生活, **GELUFU** 齿轮减速电机以其超凡可靠性和耐久性在各个领域赢得了广泛的信誉。

GELUFU 拥有在与主要客户的紧密合作中发展起来的应用技术和工程设计, 通晓齿轮电机的应用条件, 为您的驱动应用提供先进并且经济的选择。

GELUFU 的经营理念是视产品应用与周到的服务于一体, 这一态度为我们与用户奠定了良好的合作基础, 从而导致卓有成效, 牢固长久的共同繁荣。



输送设备



异型材牵引机



模具设备



三辊压光机



环保设备



物流设备



挤出设备



定量给料机



烟草设备



饮料设备



管材设备



烟草设备



格鲁夫机械设备制造有限公司

Gelufu Machinery Equipment Manufacturing Co. Ltd

地址 (ADD) : 河北 • 保定 邮编 (P.C) : 071000

电话 (TEL) : +86-312-6784766

传真 (FAX) : +86-312-6784733

<http://www.gelufu.com>

E-mail: china@gelufu.com

